

New

uPVC Compact Valves

1", 1¼", 1½", 2", 2½" & 3"
(for Irrigation Application)

Engineered for precision and durability, our uPVC Compact Ball Valves are the premier choice for agricultural, horticultural, and industrial systems. Designed to excel where space is limited, these valves deliver reliable, long-term performance in a streamlined, compact profile.



HIGHLIGHTS

- **Durable uPVC Construction:** Precision moulded valves manufactured using virgin high-quality Unplasticized Polyvinyl Chloride (uPVC) for excellent performance in extreme conditions.
- **Smooth & User-Friendly Operation:** Ergonomic designed long handle, high quality ball and O rings ensure low operational torque for easy, effortless usage.
- **UV Stabilized & Corrosion Resistant:** Built to withstand harsh sunlight and corrosive environments, ensuring a long service life.
- **Reliable & Long-Lasting Performance:** Precisely engineered for consistent leak-proof operation and enhanced durability.
- **Versatile Connection Options:** Available in BSP, NPT, and BSPT threaded connections or solvent-glued socket ends-compatible with ISO and BS standards.

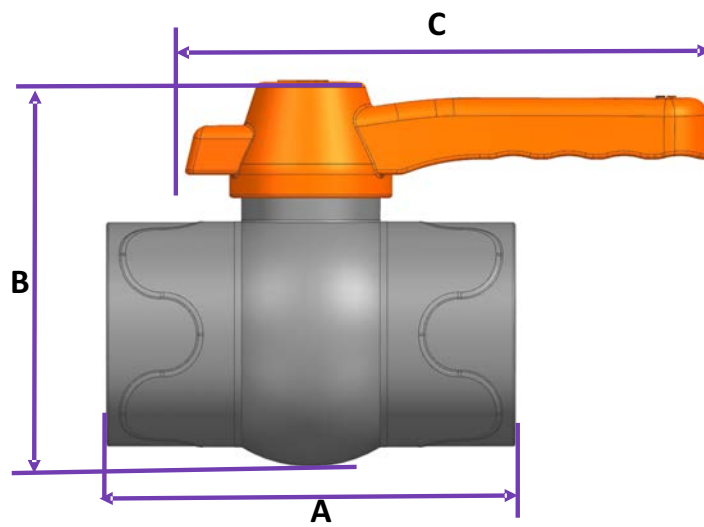
TECHNICAL SPECIFICATIONS

- Ideal for application in temperature below 55°C.
- PN 10 pressure rating.

APPLICATIONS

- **Irrigation Head Control Units:** Efficient flow regulation and shut-off in main irrigation assemblies.
- **Nurseries and Greenhouses:** Ideal for controlled water distribution in sensitive plant environments.
- **Fertigation Systems:** Suitable for precision mixing and flow control of water-soluble nutrients.
- **Industrial and Utility Water Lines:** Adaptable for use in water / beverage systems, conveyance of various chemicals etc.





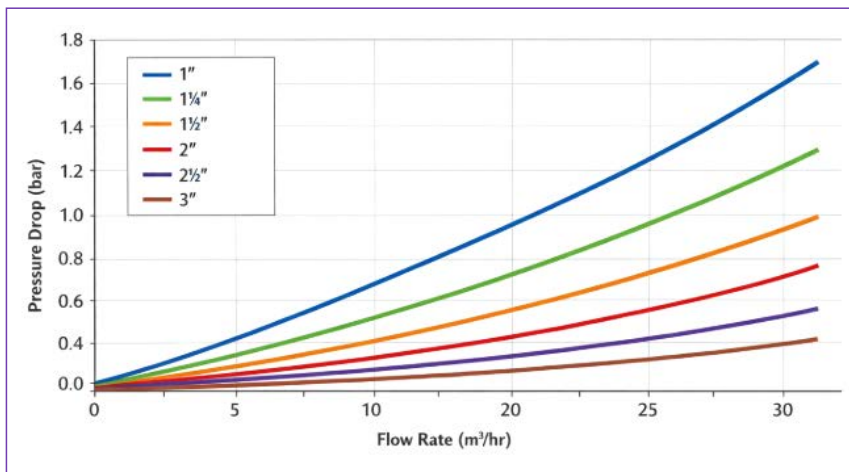
Long Handle : 1", 1¼", 1½", 2", 2½" & 3"

Dimension in mm (Long Handle)

Model No.	D	DN	PN	A	B	C
HT-663BVGL	1"	25	10	96	88	136.5
HT-664BVGL	1¼"	32	10	112	95	136.5
HT-665BVGL	1½"	40	10	120	108	152
HT-666BVGL	2"	50	10	132	122	170
HT-667BVGL	2½"	65	10	166.7	158	205.5
HT-668BVGL	3"	80	10	214	189	226

GL: Grey Body with Long Handle

Head Loss Chart



Components

